

## Mini3R Mini3R Thermal Imager



The Mini3R Thermal Imager is a product suite that complements Hikmicro's acoustic imaging camera. Featuring a 384x288 IR resolution, it enables full-screen infrared temperature detection with high accuracy. Its adjustable insertion direction and rotatable lens for focus adjustment allow seamless integration with the acoustic imaging camera, offering engineers a professional, dual-function solution for infrared and acoustic imaging detection.

### ▪Key Features

- IR Resolution : 384× 288 (110,592 pixels)
- NETD:  $\leq 35$  mK (@ 25 °C, F#=1.0)
- Accuracy: Max ( $\pm 2^{\circ}\text{C}/3.6^{\circ}\text{F}$ ,  $\pm 2\%$ )
- USB-C Interface
- 145 g Weight

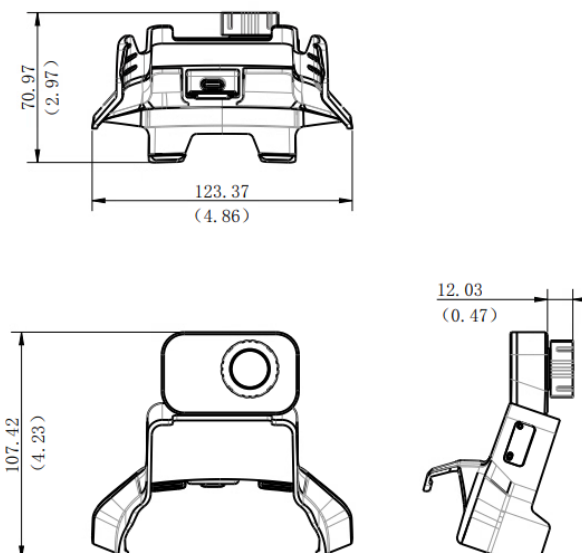
## ▪ Specification

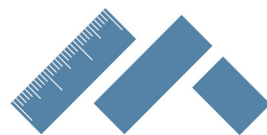
Infrared Image	
IR Resolution	384× 288 (110,592 pixels)
NETD	≤35 mK (@ 25 °C, F#=1.0)
Image Frequency	25Hz
Detector Pitch	12μm
Spectral Range	7.5 to 14 μm
Focal Length	10mm
F-number	F1.0
Field of View (FOV)	26° × 19°
Min. Focus Distance	0.3 m (0.98 ft)
Focus Mode	Manual Focus
Measurement and Analysis	
Object Temperature Range	-20°C to 650°C(-4°F to 1202°F)
Accuracy	Max (±2°C/3.6°F, ±2%), for ambient temperature 15°C to 35°C (59°F to 95°F) and object temperature above 0°C (32°F)
Measurement Tools	Center Spot, Hot Spot, Cold Spot
Level and Span Mode	Auto/Manual
General	
Power Consumption	550 mW
Interface	USB-C
Protection Level	IP54
Drop Test Height	1 m (3.28 ft)
Working Temperature Range	-20°C to 50°C (-4°F to 122°F)
Storage Temperature Range	-20°C to 60°C (-4°F to 140°F)
Weight	Approx. 145 g (0.32 lb)
Dimension	123.37× 107.57 × 63.09 mm (4.86 × 4.24 × 2.48 in)

## ▪ Available Model

HM-TJ33P-10RF-Mini3R

## ▪ Dimension





**MetiorLAB**

+385 91 5281 812

+385 95 8615 902

INFO@METIORLAB.HR

 Hikmicro Industrial

 hikmicro\_industrial

 HIKMICRO Industrial

 HIKMICRO

 info@hikmicrotech.com

 www.hikmicrotech.com

© Hangzhou Microimage Software Co., Ltd. All Rights Reserved.

\*Note: Specifications are subject to change without notice. For the current specs,  
please go to [www.hikmicrotech.com](http://www.hikmicrotech.com)