

AI56L Acoustic Imaging Camera



The HIKMICRO AI56L acoustic imaging camera is a professional product for gas leak detection. With 64 Low-noise MEMS microphones and an adjustable bandwidth range from 0 kHz to 96 kHz, AI56L provides an easy and effective way to locate pressurized air leaks in industrial environments. By adopting this lightweight and easy-to-use tool, you can discover potential safety risks, minimize troubleshooting, and save extra costs for equipment failures and downtime.

▪ Features

- 64 Low-noise MEMS Microphones, real-time sound source localization
- Real-time estimated leak rate, leak cost, and leak level for gas leak detection
- Analyzer acoustic software for analyzing images and export reports
- 800 × 480 Resolution, 4.3" LCD Touch Screen
- Supports 8 acoustic palettes

▪ Specification

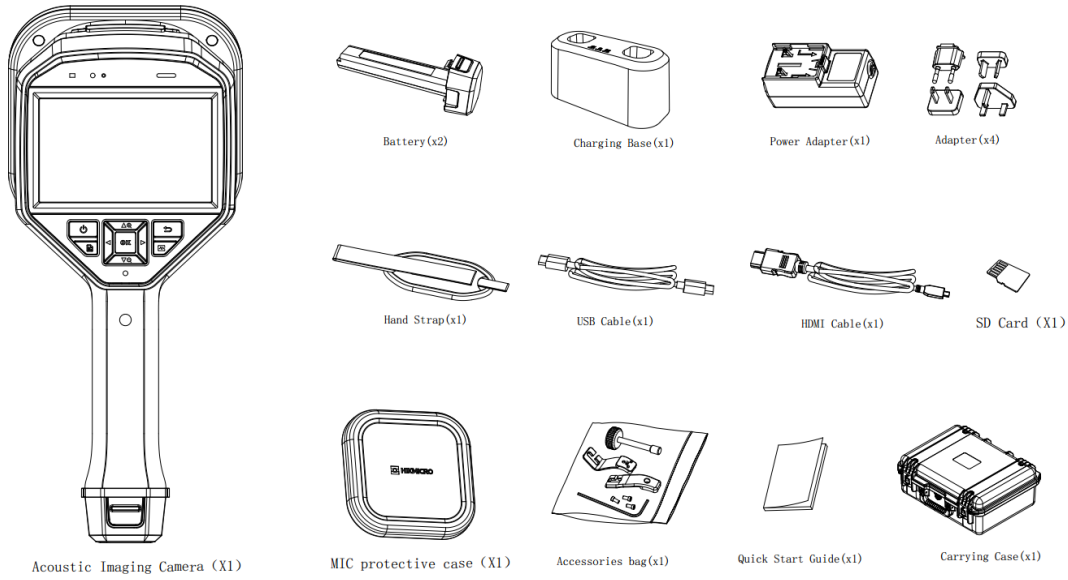
Acoustic	
Number of Microphones	64
Acoustic Image Resolution	800 × 480
Bandwidth	0 kHz to 96 kHz, adjustable range MEMS sampling frequency: 192 kHz
Distance	0.3 m ~150 m
Acoustic Image Palette	White Black, Black White, Rainbow, Fusion, Ironbow, Red Black, Rain, Blue Red
Camera FOV	50.2°× 35.4°
Sound Intensity Display	Peak Point
Acoustic Image Frame Rate	25 fps
Dynamic Range	Low Limit: <-15dB High Limit: >120dB
Leak Rate	>0.008 l/min @ 6 bar from 0.5 m (1.64 ft) >0.013 l/min @ 5 bar from 1 m (3.28 ft)
Discharge Detection	Automatic detection 50 / 60 Hz
Image Display	
Display	800 × 480 Resolution, 4.3' LCD Touch Screen
Screen Brightness	Manual /Auto
Digital Zoom	1.0x to 16.0x continuous
Visual Camera	2688 x 1944 (5 MP)
Data Storage and Communication	
Image Storage Capacity	20,000 images
Annotations	Voice note: max. 60 seconds; Text note: max. 255 characters
Video Storage Capacity	60 hours
Video File Format	MP4
Extendable Memory Card	Extendable 128 GB SD Card
General	
Wi-Fi	802.11 b/g/n (2.4 GHz and 5 GHz)
USB Interface	USB Type-C
HDMI Interface	HDMI-D
Battery Operating Time	Approx. 3.5 hours x3 for a total for a total of 10.5 hours
Battery Type	Interchangeable and Rechargeable Li-ion Battery
Battery Charging Time	5 hours to full charge
Protection level	IP 54
Power Supply	5V DC/2A (Charging via USB)
Drop Test Height	1.2 m (3.94 ft)
Safety	IEC 61010-1
EMC	EN 301 489-1,EN 301 489-17,EN IEC 61000-6-2,EN IEC 61000-6-3,EN 61326-1
Working Temperature Range	-20 °C to 50 °C (-4 °F to 122 °F)
Storage Temperature Range	-20 °C to 60 °C (-4 °F to 140 °F)
Relative Humidity	< 95 % non-condensing
Weight	Approx. 940 g (2.07 lb)
Dimension	292.2 × 127 × 110.7 mm (11.50 × 5.00 × 4.36 in)

Tripod Mounting	UNC ¼" -20
Vibration	2 g, IEC 60068-2-6
Shock	25 g, IEC 60068-2-27

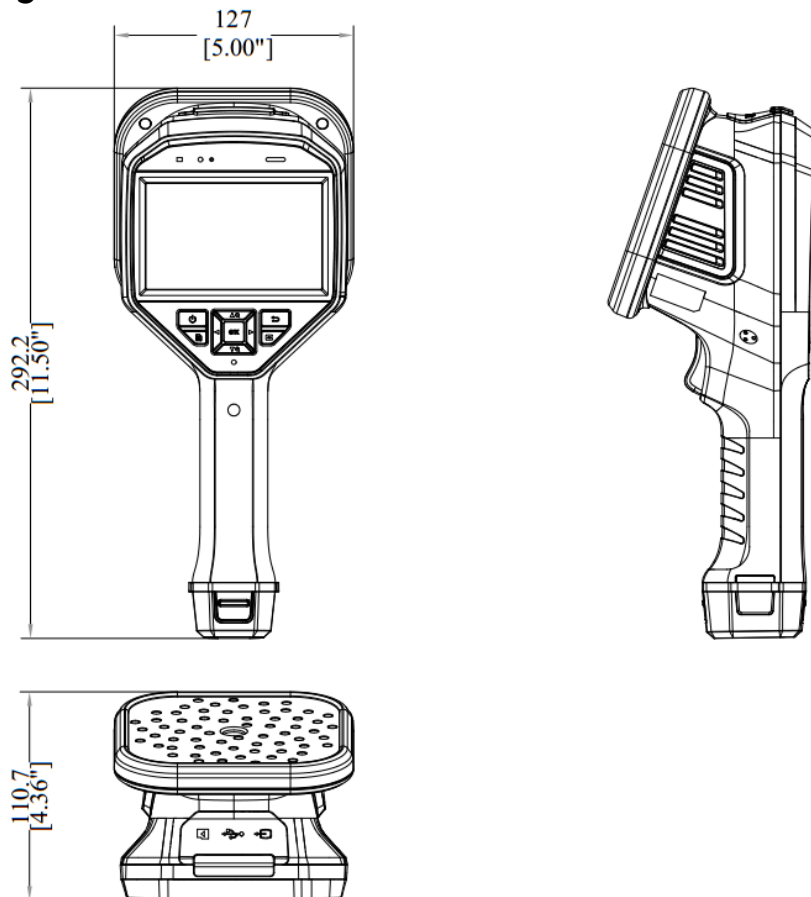
▪ **Available Model**

HM-AP56-W/W-AI56L

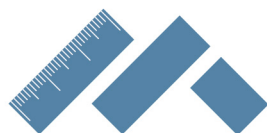
▪ **Dimension**



▪ **Packaging List**



Unit: mm[Inch]



MetiorLAB

+385 91 5281 812
+385 95 8615 902
INFO@METIORLAB.HR

 Hikmicro Industrial

 hikmicro_industrial

 HIKMICRO Industrial

 HIKMICRO

 info@hikmicrotech.com

 www.hikmicrotech.com

© Hangzhou Microimage Software Co., Ltd. All Rights Reserved.

*Note: Specifications are subject to change without notice. For the current specs, please go to www.hikmicrotech.com