

POWER TINY

Portable power.

a Look Solutions product



battery-operated fog generator

small, quick, efficient

powerful output

made in Germany

The **Power-Tiny** is the strongest machine of the Tiny range.

It completes the range of the battery-operated machines perfectly and fills the gap between high flexibility and powerful fog output.

In the world of Theatre, Film-, TV- and Photographie, Musicals and Special effects, air flow and tightness testing - wherever fog is needed quickly and efficiently, the **Power-Tiny** is the perfect alternative to „normal“ fog generators.

Features

- Minimal heat-up time

Due to the heat-up time of only one second, the **Power-Tiny** is ready to use on site.

- Low weight and small dimensions

The relatively low weight (5.6 kg) and the small dimensions (L = 22.3 cm; W = 10 cm; H = 21 cm) makes the machine useable for mobile uses.

- Adjustable output

The fog output can be adjusted with the adjusting knob that is installed in the lid.

The release button is built into the handle. Thus, a comfortable one-hand-operation is possible.

- Microprocessor controlled

The heart of the machine is a microprocessor which controls and supervises all important functions. This guarantees a continuous and safe running of the generator.

- 250 hours stand-by time

Due to the intelligent control mechanism, the battery supplies energy only when necessary.

Thus the operation time is considerably increased - the stand-by time is 250 hours.

With one 12V-battery 10 minutes of continuous output or up to 150 single bursts with 5 seconds can be produced.

Once the battery is emptied, it can be recharged with the supplied charger. It will need 12 hours to recharge the battery if it is completely empty.

To avoid long waiting times during recharging, a batterypack (battery equipped with housing, PCB, fuse, connecting cable) is available as an option.

The fog generator can easily be disconnected from the battery and connected to the new batterypack quickly.

Thus, the **Power-Tiny** is ready for operation immediately.

- Control

The fogging process is started with the release button in the machines handle.

The **Power-Tiny** is equipped with a 3pin-XLR-socket.

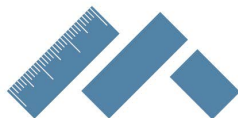
It can be used for an analogue (0 - 10V) cable remote or for a radio remote (both available as an option).

Also a DMX-converter to control the machine via DMX 512 or a timer is available.

With the timer a fog and wait time can be programmed in.

Specifications

Procedure	Vaporizing fog generator
Power requirement	400 Watt
Voltage	12 V with battery
Heat-up time	1 second
Fluid tank capacity	250 ml
Fluid consumption	10 ml/min. at cont. output
Fogging time	programmable
Continuous output with battery	approx. 10 minutes
Control	Start button Cable remote (option) Radio remote (option) DMX 512-converter (option) Timer (option)
Control/ Temperature control	Microprocessor
Dimensions (L x W x H)	22.3 x 10 x 21 cm (8.7 x 3.9 x 8.2 in)
Weight incl. battery	5.6 kg



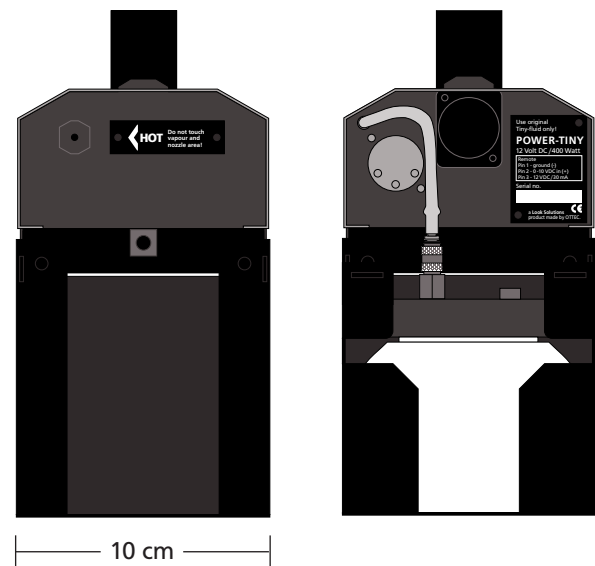
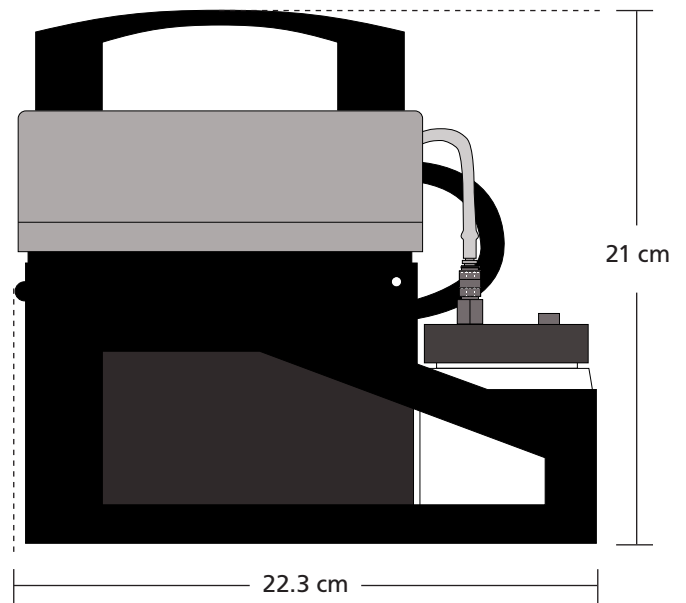
MetiorLAB

+385 91 5281 812

+385 95 8615 902

INFO@METIORLAB.HR

Dimensions



Advantages

- Small dimensions and light weight
- Akku wird nur belastet, wenn der Nebelvorgang ausgelöst wird – dadurch lange Betriebsbereitschaft des Gerätes
- Aufheizzeit 1 Sekunde
- Kontinuierlicher, gleichmässiger Ausstoß
- Nebelausstoß regulierbar
- Dauernebel möglich
- Auslösung per Taster im Griff, optional per Kabelremote, Funkfernbedienung, DMX-Konverter oder Timer
- Geringer Fluidverbrauch (10 ml/Min. bei Dauernebel)
- Herstellung und Service in Deutschland

Lieferumfang

- Power-Tiny (Nebelgerät + Akkupack)
- Ladegerät
- Fluidbehälter 250 ml
- 250 ml Tiny-Fluid

Zubehör

- Kabelfernbedienung (XLR-remote)
- Funkfernbedienung
- Schlauchblende
- Timeit, Timer
- DMXit, DMX-Konverter

Service

Durch die enge Zusammenarbeit mit dem Hersteller ist Look Solutions in der Lage, schnellen und problemlosen Service und eine gleichbleibend hohe Qualität der Geräte zu bieten.