

Mini1 Smartphone Module



The Smartphone Module is designed to inspect electrical equipment, troubleshooting HVAC problems. Equipped with functional thermal App for smartphone, the Smartphone Module enables you to get the thermal imaging on your phone.

Key Features

- Thermal resolution: 160 × 120 (19 200 pixels)
- NETD: < 40 mK (@ 25 °C, F#=1.0)
- Accuracy: Max ($\pm 2^{\circ}\text{C}/3.6^{\circ}\text{F}$, $\pm 2\%$), applicable 60 sec after start-up when the ambient temperature 15°C to 35°C (59°F to 95°F) and object temperature above 0°C (32°F)
- USB Type-C Interface (Android)
- 26 g Weight

Specification

Thermal Module	
Image Sensor	Vanadium Oxide Uncooled Focal Plane Arrays
IR Resolution	160 × 120 (19 200 pixels)
Pixel Pitch	17 μm
Spectrum Range	8 - 14 μm
NETD	< 40 mK (@ 25 °C, F#=1.0)
Focal Length	3.2 mm
FOV (Field of View)	50° × 38° (H × V)
Minimum Focus Distance	20 cm
Focus	Fixed
Image Frequency	25 Hz
Aperture	F1.1
Thermography Function	
Accuracy	Max (±2°C/3.6°F, ±2%), applicable 60 sec after start-up when the ambient temperature 15°C to 35°C (59°F to 95°F) and object temperature above 0°C (32°F)
Object Temperature Range	-20 °C to 350 °C (-4°F to 662°F)
Shutter	Automatic/Manual
General	
Power	Powered by Smartphone
Phone	Android (USB Type-C Interface)
Working Temperature Range	15 °C to 35 °C (59°F to 95°F)
Storage Temperature Range	-20 °C to 60 °C (-4°F to 140°F)
Protection Level	IP40
Mechanical Shock	Drop from 1 m (3.28 ft)
Weight	26 g (0.057 lb)
Dimension	54.1 mm × 15 mm × 27.5 mm (2.13" × 0.59" × 1.08")
Power Consumption	300mW
APP	
Measurement Presets	Hot Spot, Cold Spot, Center Spot, 3 Point Presets, 3 Area Presets, Off
Color Palettes	Black Hot, White Hot, Red Hot, Rainbow, Ironbow, Fusion, Rain
Video Format	MP4
Image Format	JPEG

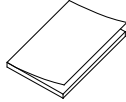
Available Model

HM-TJ11-3AMF-Mini1

Packing List

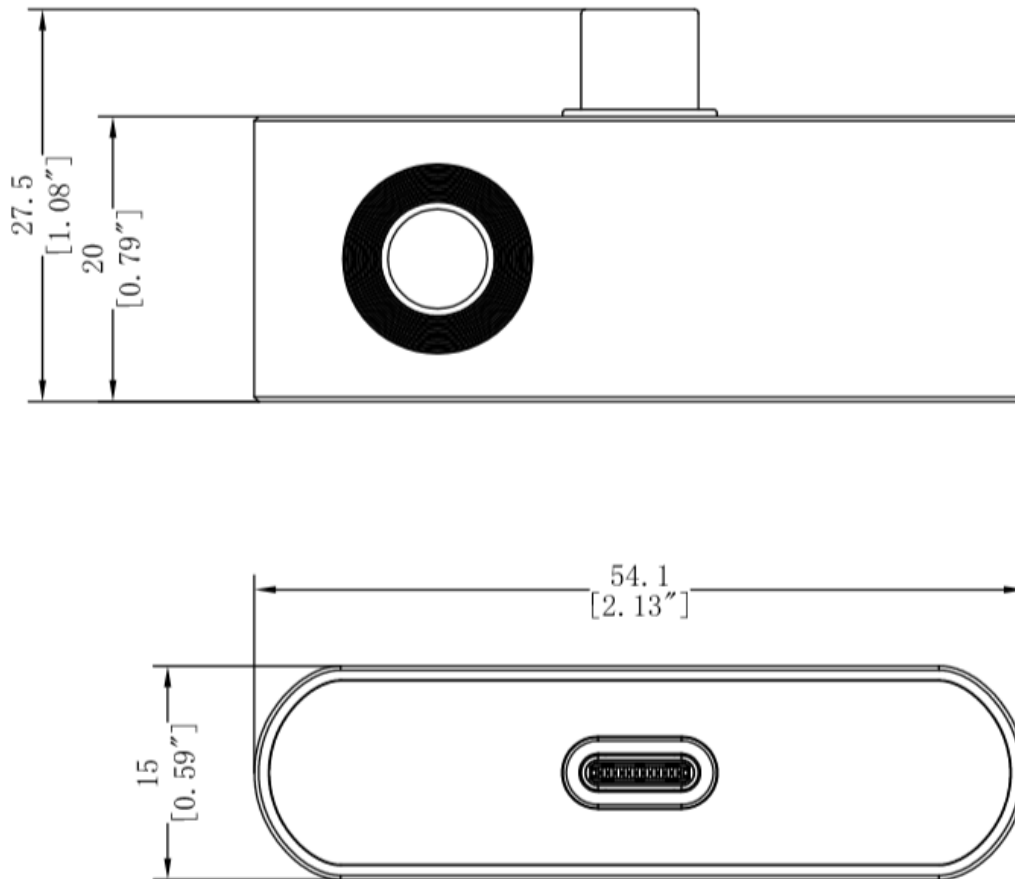


Storage bag (x1)



QSG (x1)

Dimension



Unit:mm[Inch]